

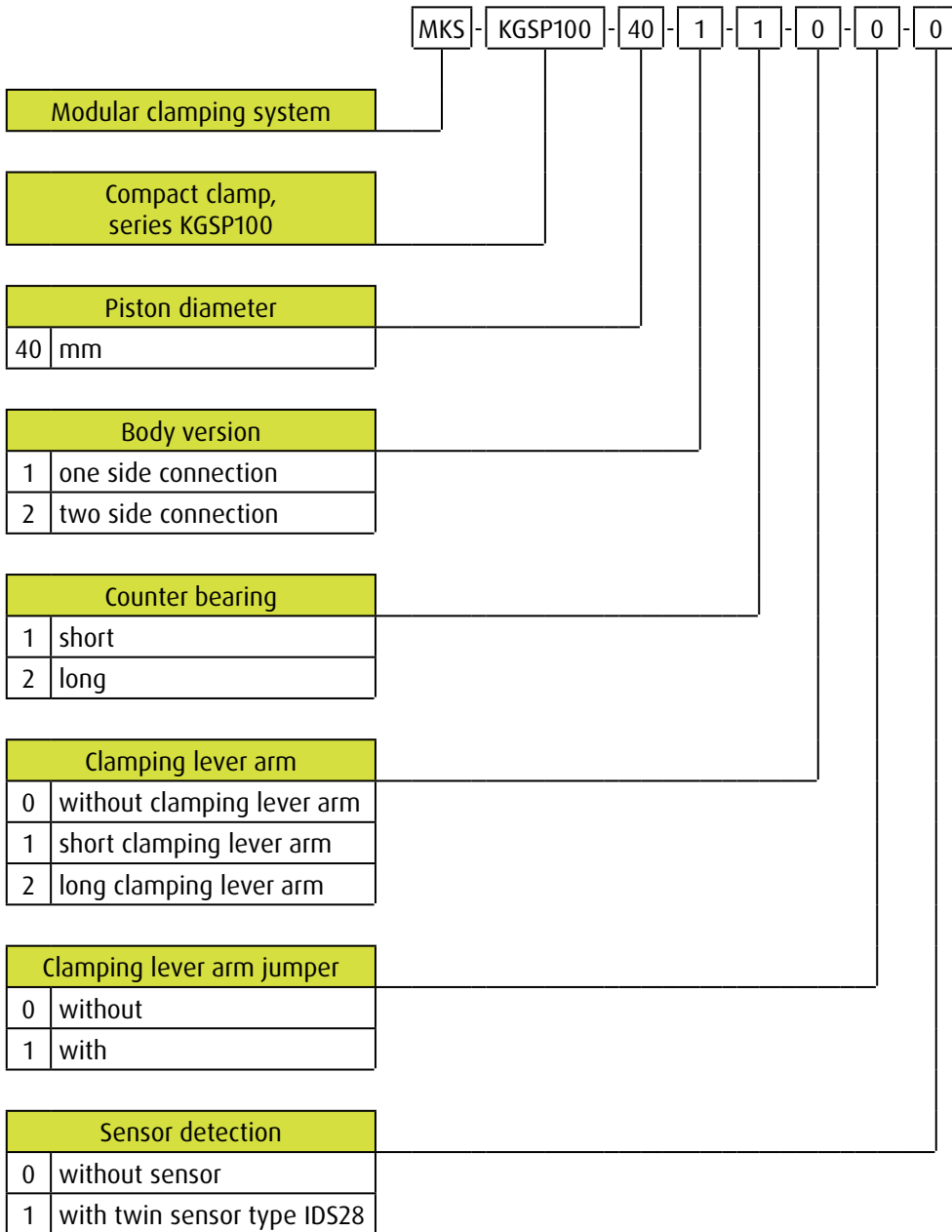


**Compact Clamp
KGSP100-40**

Catalogue Brochure

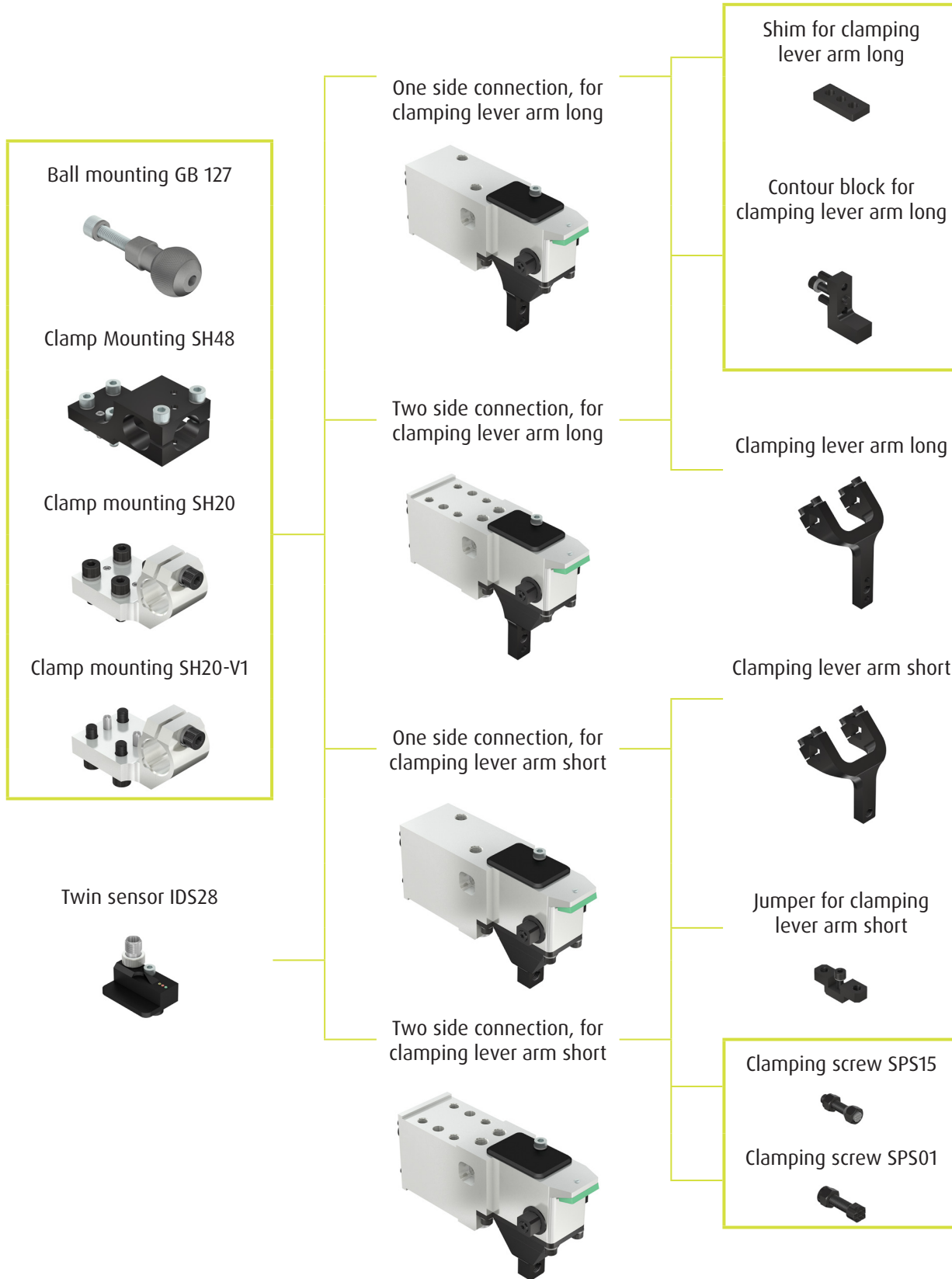
Series KGSP100

Configuration



Series KGSP100

Configuration Overview



Indicated accessories are not configurable and has to be ordered separately.

Series KGSP100

Version: — Basic version short
 — One side connection



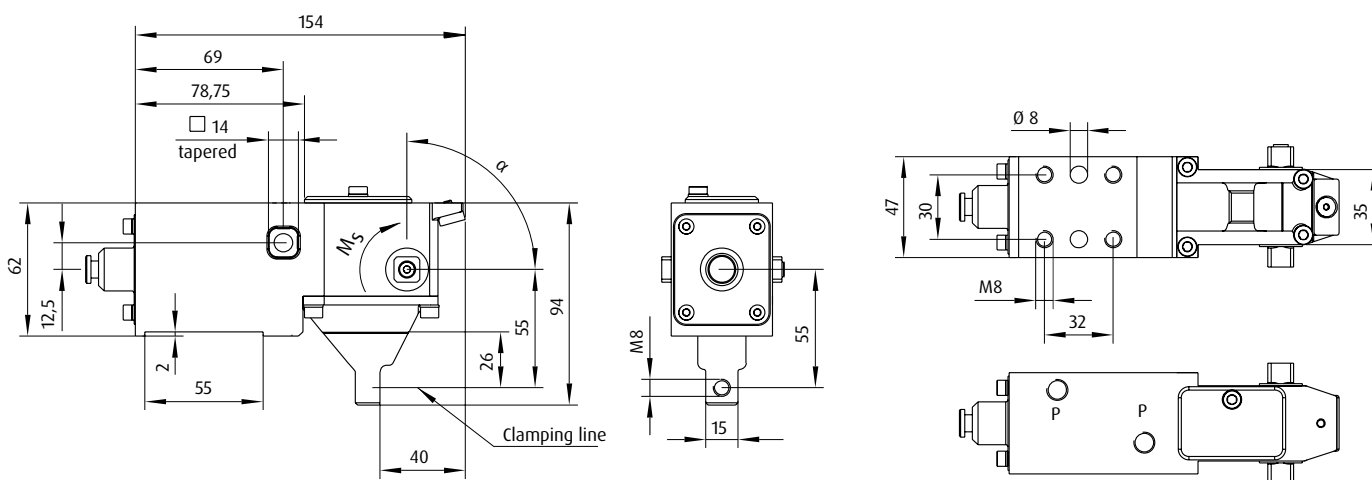
Technical Data

Version: One side connection, encapsulated, with self-adjusting and self locking function

Material

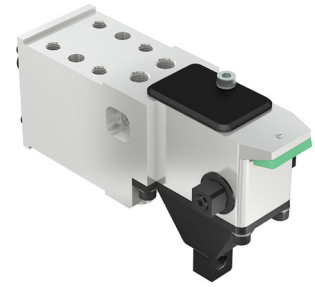
Body: Aluminum / anodized
 Counter bearing: Steel / tenifer treated
 Sealings: NBR
 Medium: Compressed air
 Operating temperature: -20...+70°C
 Operating pressure: 3-8 bar
 Holding force: 2800 N (at 5 bar)
 Holding moment: 150 Nm (at 5 bar)
 Air consumption, each double stroke: 0,12 l (at 5 bar)
 Opening- / closing time: 0,1 s
 Ports (P): G 1/8

Article-No.	Description	Piston Ø [mm]	Clamping force [N]	M _s [Nm]	Weight [kg]	α [°]
107477	MKS-KGSP100-40-1-1-0-0-0	40	1400	75	1,03	60°



Series KGSP100

Version: — Basic version, short
 — Two side connection



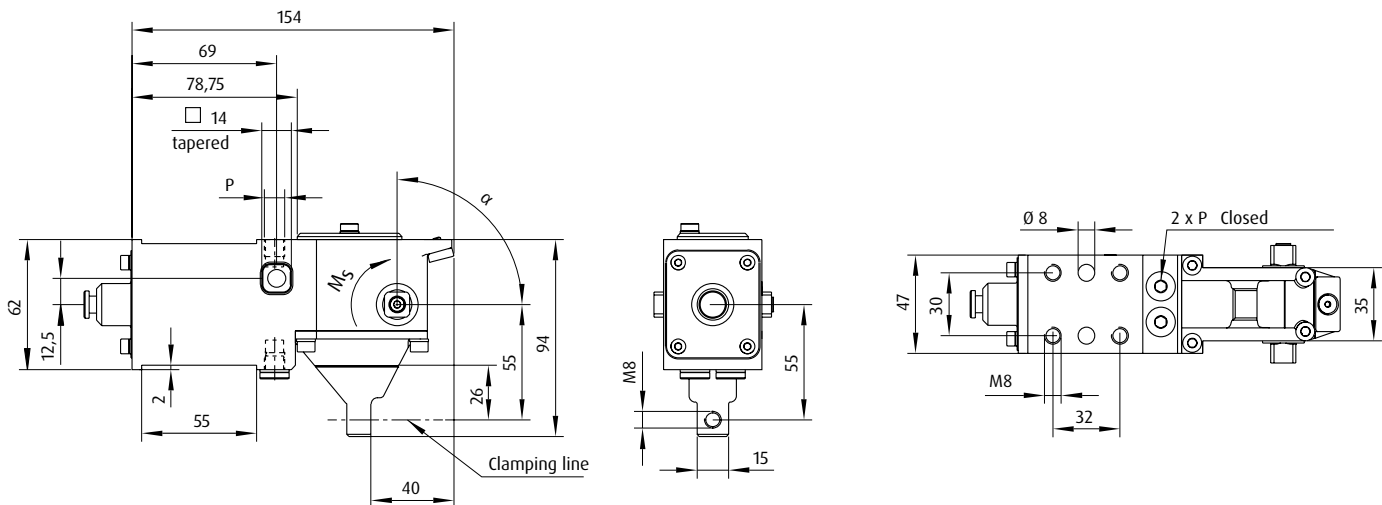
Technical Data

Version: Two side connection, encapsulated, with self-adjusting and self locking function

Material

Body: Aluminum / anodized
 Counter bearing: Steel / tenifer treated
 Sealings: NBR
 Medium: Compressed air
 Operating temperature: -20...+70°C
 Operating pressure: 3-8 bar
 Holding force: 2800 N (at 5 bar)
 Holding moment: 150 Nm (at 5 bar)
 Air consumption, each double stroke: 0,12 l (at 5 bar)
 Opening- / closing time: 0,1 s
 Ports (P): G 1/8

Article-No.	Description	Piston Ø [mm]	Clamping force [N]	M _S [Nm]	Weight [kg]	α [°]
107478	MKS-KGSP100-40-2-1-0-0-0	40	1400	75	1,03	60°



Series KGSP100

Version: — Basic version long
— One side connection



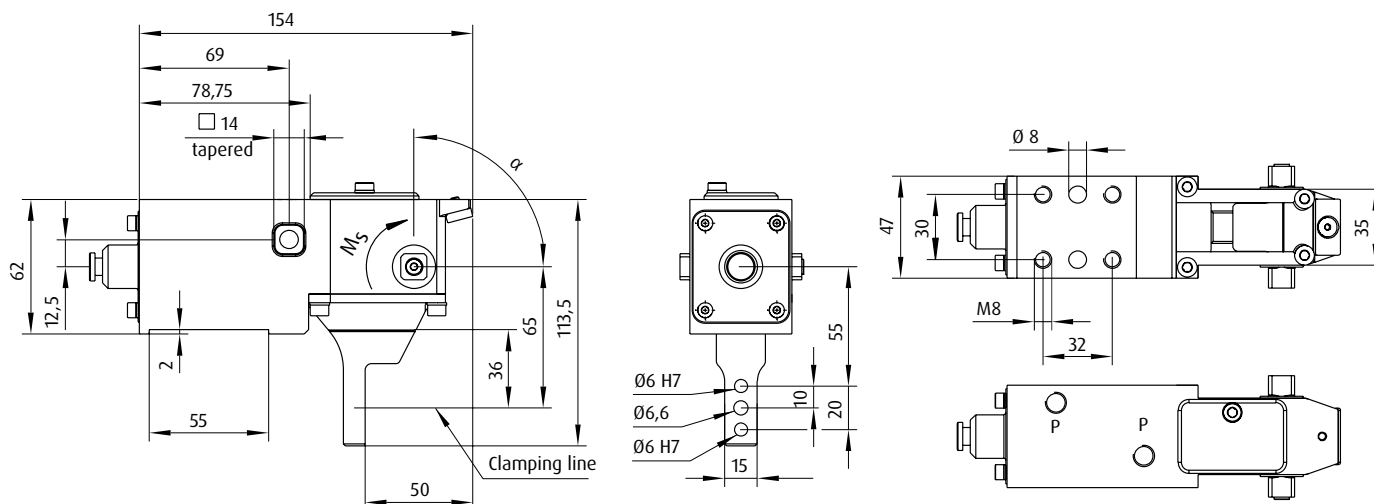
Technical Data

Version: One side connection, encapsulated, with self-adjusting and self locking function

Material

Body: Aluminum / anodized
 Counter bearing: Steel / tenifer treated
 Sealings: NBR
 Medium: Compressed air
 Operating temperature: -20...+70°C
 Operating pressure: 3-8 bar
 Holding force: Depending on contour block size
 Holding moment: 150 Nm (at 5 bar)
 Air consumption, each double stroke: 0,12 l (at 5 bar)
 Opening- / closing time: 0,1 s
 Ports (P): G 1/8

Article-No.	Description	Piston Ø [mm]	Clamping force [N]	M _S [Nm]	Weight [kg]	α [°]
107480	MKS-KGSP100-40-1-2-0-0-0	40	1400	75	1,06	60°



Series KGSP100

Version: — Basic version long
— Two side connection



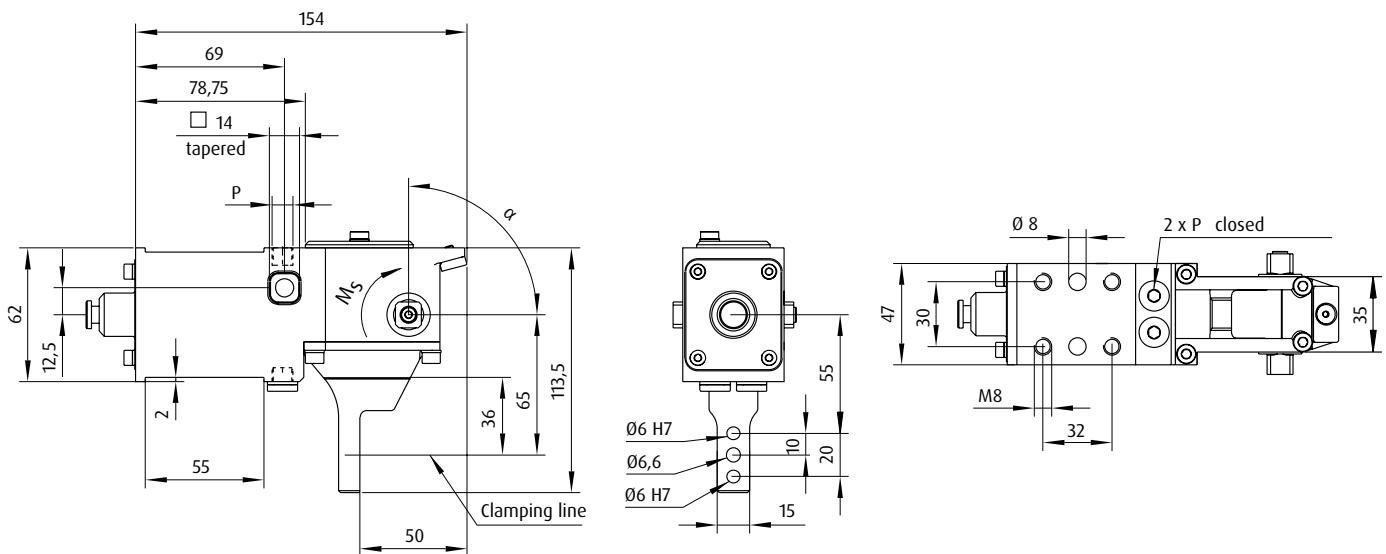
Technical Data

Version: Two side connection, encapsulated, with self-adjusting and self locking function

Material

Body: Aluminum / anodized
 Counter bearing: Steel / tenifer treated
 Sealings: NBR
 Medium: Compressed air
 Operating temperature: -20...+70°C
 Operating pressure: 3-8 bar
 Holding force: Depending on contour block size
 Holding moment: 150 Nm (at 5 bar)
 Air consumption, each double stroke: 0,12 l (at 5 bar)
 Opening- / closing time: 0,1 s
 Ports (P): G 1/8

Article-No.	Description	Piston Ø [mm]	Clamping force [N]	M _S [Nm]	Weight [kg]	α [°]
107479	MKS-KGSP100-40-2-2-0-0-0	40	1400	75	1,06	60°



Series ZKGSP100

Clamping lever arm



Technical Data

Version: Short, for clamping screws

Material

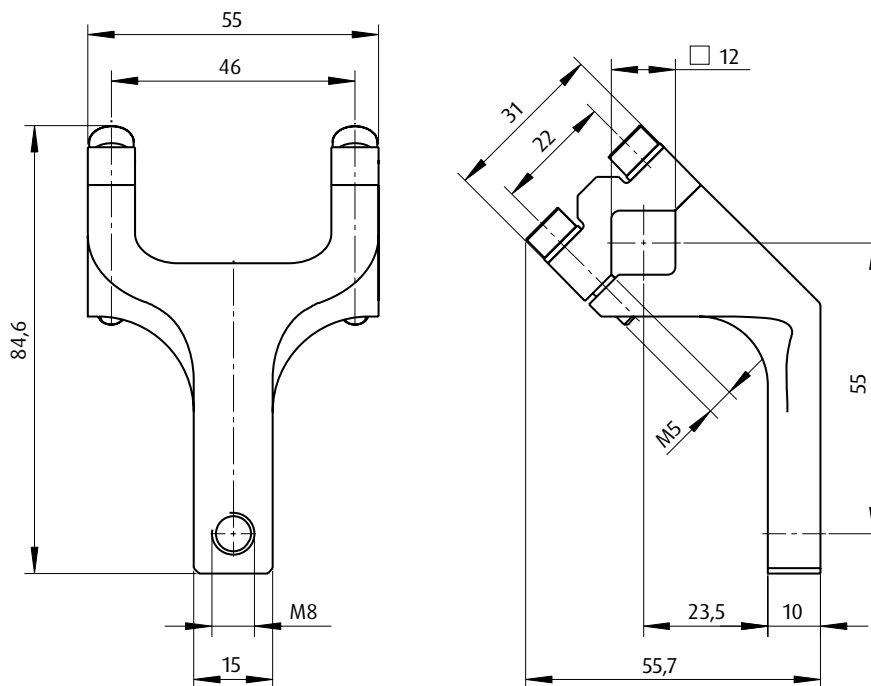
Body: Steel / tenifer treated

Serrated washer VS5: Steel / zinc plated

Screw: DIN912 / ISO4762 - 12.9

Torque: 6 Nm

Article-No.	Description	Weight [kg]
107449	MKS-ZKGSP100-01	0,38



Series ZKGSP100

Clamping lever arm



Technical Data

Version: Long, for contour blocks

Material

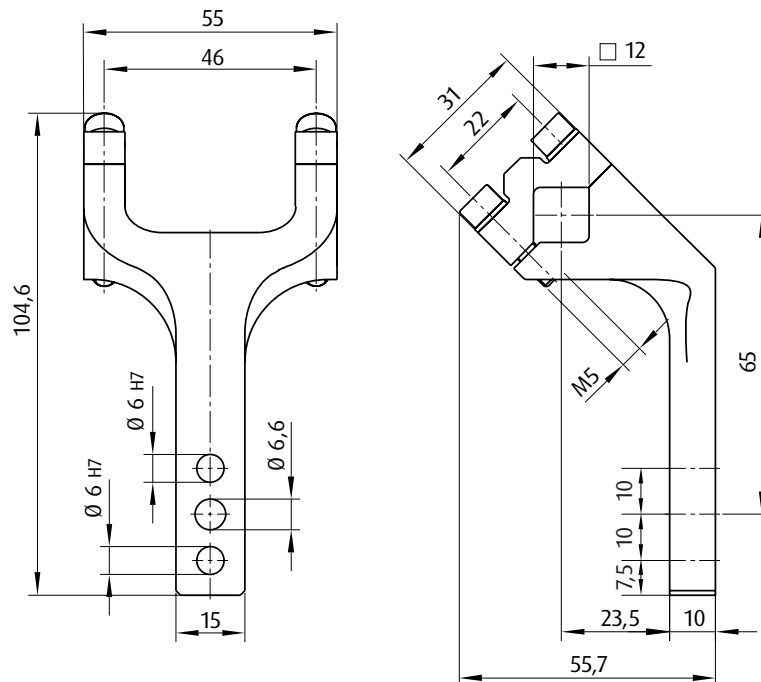
Body: Steel / tenifer treated

Serrated washer VS5: Steel / zinc plated

Screw: DIN912 / ISO4762 - 12.9

Torque: 6 Nm

Article-No.	Description	Weight [kg]
107450	MKS-ZKGSP100-03	0,23



Series SH

Clamp mounting



Technical Data

Version: For rod clamping

Material

Body: Aluminum

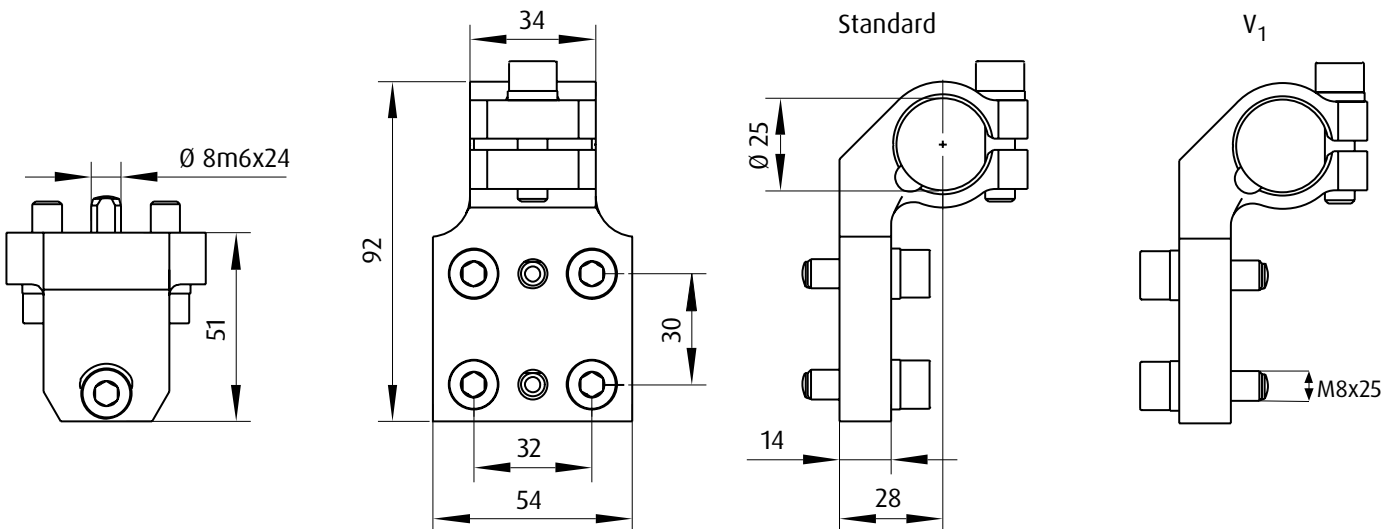
Self locking washers S8: DIN25201 Steel / zinc plated

Screw: DIN912 / ISO4762 - 12.9

Dowel pin: DIN7979 / ISO8735

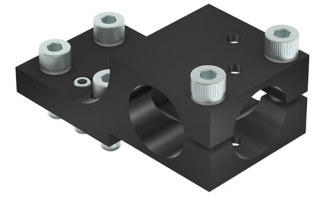
Torque: 40 Nm

Article-No.	Description	Version	Weight [kg]
104835	MKS25-SH20-32x30	Standard	0,28
105226	MKS25-SH20-32x30-V1	Mirrored	0,28



Series SH

Clamp mounting



Technical Data

Version: For tube clamping (x/y)

Material

Body: Steel / gunmetal finish

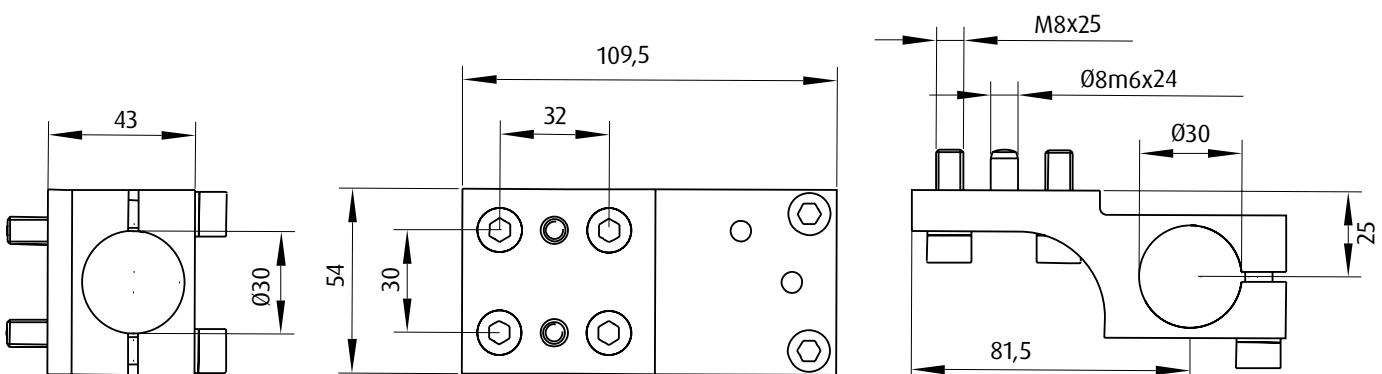
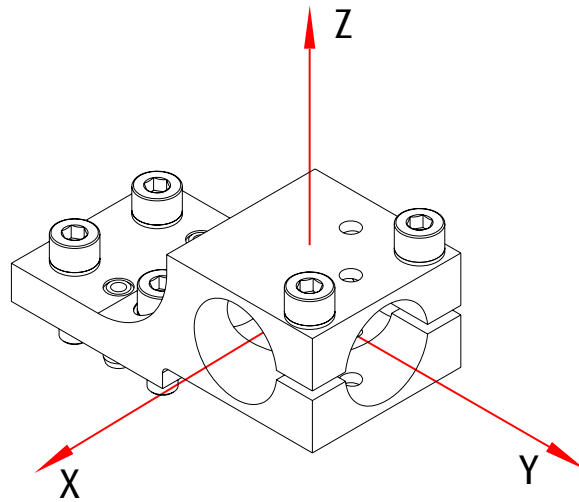
Self locking washers S8: DIN 25201 Steel / zink plated

Screw: DIN912 / ISO4762 - 12.9

Dowel pin: DIN7979 / ISO8735

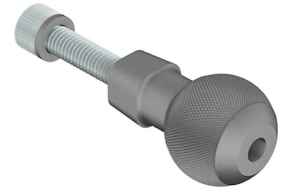
Torque: 40 Nm

Article-No.	Description	Weight [kg]
107476	MKS30-SH48-32x30	0,77



Series GB

Ball mounting



Technical Data

Version: Square tapered

Material

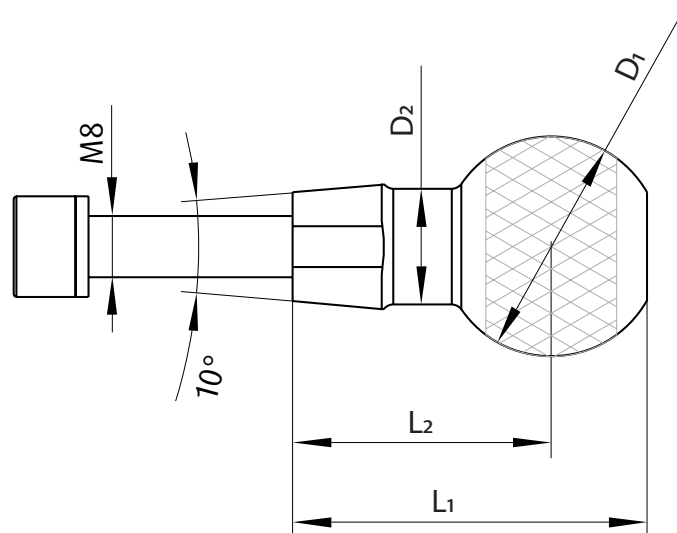
Body: Steel

Lock washer VS8: Steel / zinc plated

Screw: DIN912 / ISO4762 - 8.8

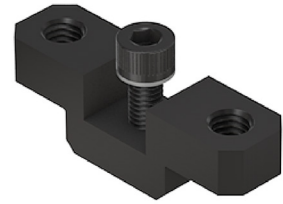
Torque: 23 Nm

Article-No.	Description	L ₁ [mm]	L ₂ [mm]	D ₁ [mm]	D ₂ [mm]	Material	Surface treatment	Weight [kg]
107634	MKS-GB127-2-G	45,9	33,5	28,5	15	Steel	Nitrided / knurled	0,11
102718	MKS-GB127-1	51	37,5	32	18	Steel	Gun metal finish	0,16
102474	MKS-GB127	58,5	43,5	36	18	Steel	Gun metal finish	0,25
102999	MKS-GB127-1-AL	51	37,5	32	18	Aluminum	-	0,06
102998	MKS-GB127-AL	58,5	43,5	36	18	Aluminum	-	0,08



Series ZKGSP100

Clamping lever arm jumper



Technical Data

Version: To be combined with 2 clamping screws

Material

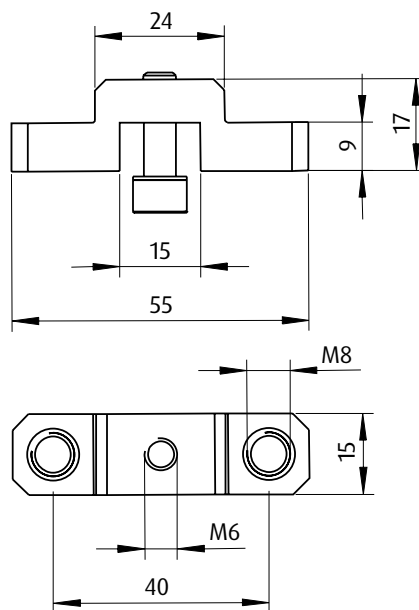
Body: Steel / tenifer treated

Lock washer VS6: Steel / zinc plated

Screw: DIN912 / ISO4762 - 12.9

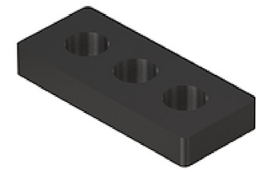
Torque: 16 Nm

Article-No.	Description	Weight [kg]
107451	MKS-ZKGSP100-02	0,06



Series APSP

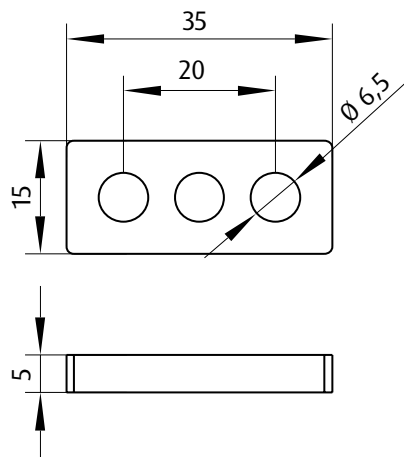
Shim (Distance plate)



Technical Data

Material: Steel / gunmetal finish

Article-No.	Description	Weight [kg]
107453	MKS-APSP14-50	0,02



Series AWSP

Contour block blank

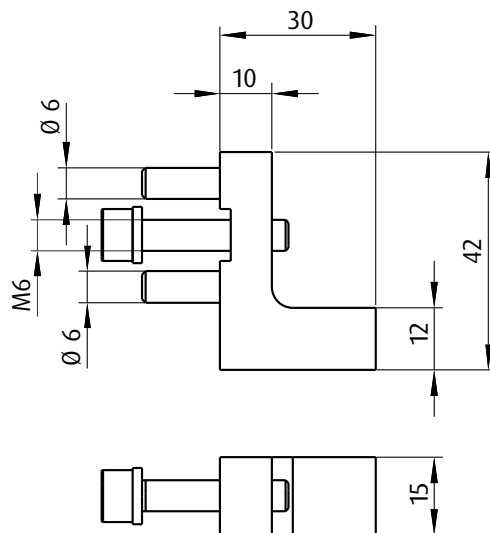


Technical Data

Material

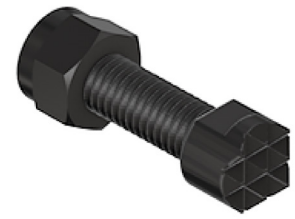
- Body: Steel / gunmetal finish
- Self locking washers S8: DIN25201 Steel / zinc plated
- Screw: DIN912 / ISO 4762 - 12.9
- Pin: DIN7979 / ISO8735
- Torque: 16 Nm

Article-No.	Description	Weight [kg]
107454	MKS-AWSP13-30	0,09



Series SPS

Clamping screw with cross surface

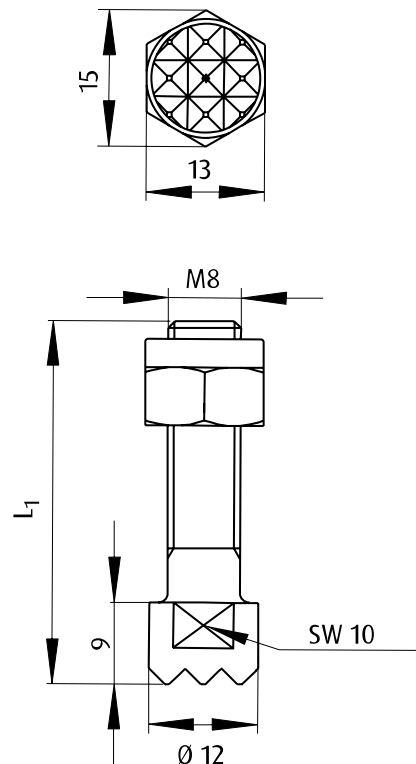


Technical Data

Material

Body: Steel / gunmetal finish
 Hexagon nut: DIN982 / ISO7040 - M8 - 8
 Torque: 23 Nm

Article-No.	Description	L ₁ [mm]	Weight [kg]
13129	MKS-SPS01-35	35	0,03
102749	MKS-SPS01-40	40	0,03
16467	MKS-SPS01-45	45	0,03
100870	MKS-SPS01-55	55	0,03



Series SPS

Clamping screw with Toggle locator

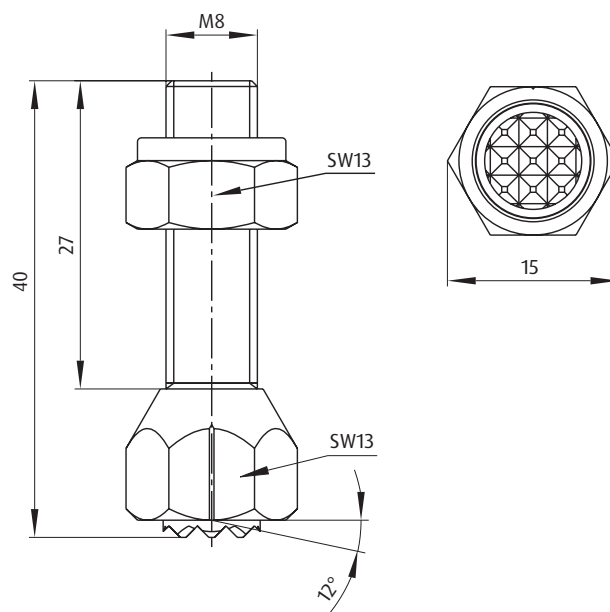


Technical Data

Material

- Body: Steel / tenifer treated
- Toggle locator: Steel / hardened
- Hexagon nut: DIN985 / ISO10511 - M8 - 8
- Torque: 23 Nm

Article-No.	Description	Weight [kg]
107452	MKS-SPS15-40	0,02



Series IDS

Twin Sensor



Technical Data

Version: Magnetic field resistant for DC- and AC-fields

Material

Body: Metal, PP

Operating voltage signal: Green

Switching status signal: Yellow - clamping lever arm open
Red - clamping lever arm closed

Rated switching distance: 2 mm

Installation condition: Non flush mounted


Ambient temperature: -25 ... +70 °C

Operating voltage UB: 10-30 VDC

Output function: 4 wire, PNP/NO

IP protection: IP67

Weight: 0,018 kg

Protection class: II 

Article-No.	Description
107399	MKS-IDS28-M12-S1

